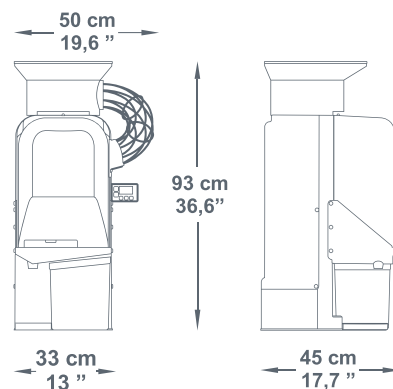


MINIMATIC

TECHNICAL FEATURES

Fruits per minute	15
Feeder capacity	8 Kg / 17,6 Lbs
Feeder mode	Automatic
Squeezing diameter	60-80 mm / 2,36-3,15"
Waste bin capacity	9 Kg / 20 Lbs / 54 squeezed oranges approx.
Weight	53,3 Kg / 117,5 Lbs
Voltage	230 V - 50/60 Hz 115 V - 60 Hz
Energy consumption	3,7 A / 4,1 A 8,1 A
Power	550 W - 0,7 Hp
Protection	Security and locking detectors. IPx4
Recommended consumption	👉👉👉 Moderate



OPTIONS



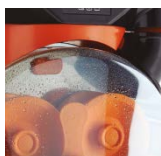
+ Stainless steel self-tap

Easy to use, by simply turning the tap, the machine starts the squeezing process. The tap allows filling in continuous and discontinuous mode.



+ Self-cleaning system

Automatic system for fast and intense cleaning of the squeezing zone.



COLORS

