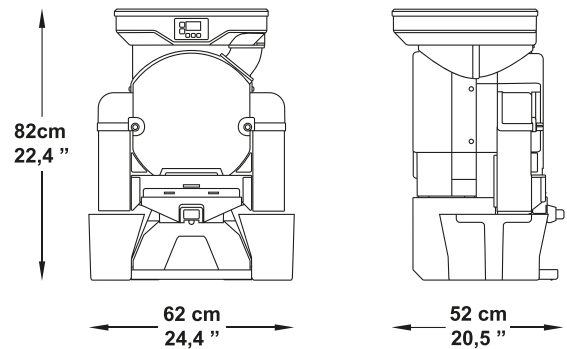


BASIC



TECHNICAL FEATURES

Fruits per minute	28
Feeder capacity	8 Kg / 17,6 Lbs
Feeder mode	Manual
Squeezing diameter	65-80 mm / 2,56-3,15 "
Waste bin capacity	12 Kg / 26,5 Lbs / 72 squeezed oranges approx.
Weight	49,8 Kg / 109,8 Lbs
Voltage	230 V - 50/60 Hz 115 V - 60 Hz
Energy consumption	3,7 A / 4,1 A 8,1 A
Power	550 W - 0,7 Hp
Protection	Security and locking detectors. IPx4
Recommended consumption	🔴🟡🟢 Medium

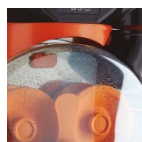


OPTIONS



+ Self-Cleaning system

Automatic double shower system for fast and intense cleaning of the squeezing area.



+ Automatic double action filter

Transports automatically seeds and pulp into the waste bin.



+ Pulp-Out Filter & Stainless Steel Self-Tap

Allows you to swipe seeds and pulp directly into the waste bin, by just sliding the Pulp-Out sweeper to the side.



+ ByeFly system

The new system creates an air current in the squeezing area, keeping it free of mosquitoes and flies.



ACCESSORIES



+ Bottle holder

Support for filling bottles without having to hold them.



+ Squeezing kit S

45-60 mm juice squeezing kit to process small calibre fruits.



COLORS

