

BIGFASTJUICE

The most advanced juice extractor on the market for places with high demand. It is the perfect machine for making continuously smoothies, cocktails, soups, and other juices.



TECHNICAL CHARACTERISTICS

Quantity of juice
Up to 75%

Hourly production
130 kg / 286 lbs

Power
800 W

Net weight
20 kg / 44 lbs

Current
230 V / 50Hz

Gross weight
23 kg / 51 lbs

RPM
3.000 rpm

Dimensions
50 x 26 cm / 19,6" x 6,2"

Material
Stainless steel for the parts that are in contact with the juice

Feeding hole
Ø 77 mm

Completely maintenance free

Safety mechanism to prevent accidents due to use

Quick to clean. Only 5 min. Can be placed in the dishwasher.

There is no need to clean the machine in between juices. Just juice a small piece of lemon and the previous flavour and color will be taken away.

RECOMMENDED CONSUMPTION



Low

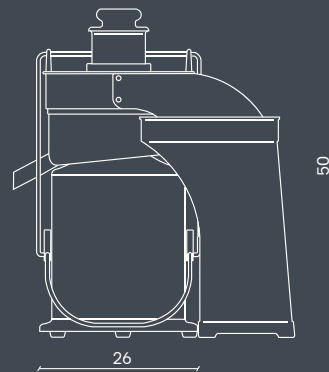


High



Very High

Designed to deliver maximum production, the BigFastJuice juice extractor is perfect for businesses in the shake, smoothie and smoothie sector. Thanks to its characteristics it allows to extract juice from any type of fruit.



The BigFastJuice extractor user manual also includes more than 35 ideas of smoothies suitable for any occasion. Proposals to offer your guests a different drink.

GINGERINO

- 2 apples
- 1/4 lemon
- 1/2 orange
- Ginger
- Add grape

SURPRISE

- 1/2 cup carrot juice
- 500g tomatoes
- 4 celery stalks
- Lemon juice
- Add mint

TAHITÍ

- 1 piece of pineapple
- 1/4 of lemon
- 200 g melon
- Sugar to taste

BLUE MOON

- 1 peach
- 1/2 glass of cava
- 1 bit of cointreau