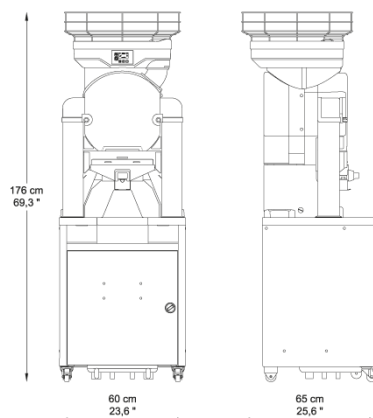


FASTTOP Service

TECHNICAL FEATURES

| | |
|-------------------------|--------------------------------------|
| Fruits per minute | 45 |
| Feeder capacity | 25 Kg / 55 Lbs |
| Feeder mode | Automatic |
| Squeezing diameter | 65-80 mm / 2,56-3,15 " |
| Waste bin capacity | In the stand |
| Weight | 91 Kg / 200,5 Lbs |
| Voltage | 230 V - 50/60 Hz 115 V - 60 Hz |
| Energy consumption | 3,7 A / 4,1 A 8,1 A |
| Power | 550 W - 0,7 Hp |
| Protection | Security and locking detectors. IPx4 |
| Recommended consumption | 🔴🔴🔴 High |



COLORS



Service Stand



Support specially designed for places with self-service demand with high consumption. It offers a variety of options and combinations.

| | |
|--------------------|--|
| Waste bin capacity | 50 Kg / 110 Lbs / 300 squeezed oranges approx. |
|--------------------|--|