
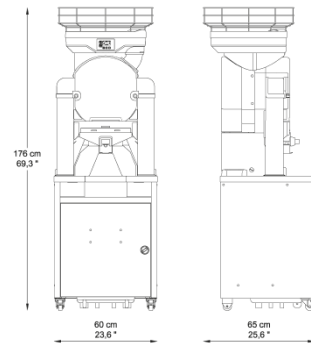


FASTTOP Dispenser

TECHNICAL FEATURES

| | |
|--------------------|--------------------------------------|
| Fruits per minute | 45 |
| Feeder capacity | 25 Kg / 55 Lbs |
| Feeder mode | Automatic |
| Squeezing diameter | 65-80 mm / 2,56-3,15 " |
| Waste bin capacity | In the stand |
| Weight | 91,8 Kg / 202,3 Lbs |
| Voltage | 230 V - 50/60 Hz 115 V - 60 Hz |
| Energy consumption | 3,7 A / 4,1 A 8,1 A |
| Power | 550 W - 0,7 Hp |
| Protection | Security and locking detectors. IPx4 |


Recommended consumption  High



COLORS




Dispenser Stand

 Stand equipped with a 5 liter juice dispenser with tap that allows to obtain freshly squeezed juice without having to wait.

| | |
|--------------------|--|
| Tank capacity | 5 Liters |
| Waste bin capacity | 50 Kg / 110 Lbs / 300 squeezed oranges approx. |

OPTIONS

 **+ Juice level detector**
Automatic filling system that allows up to 5 liters of fresh juice to be permanently available.